

LV series

- Load life : 85°C 5000Hours high voltage Screw terminal type.
- Suitable for use in industrial equipment industrial power, solar pv inverter, wind power, Marine, heavy trucks, and other fields.
- RoHS Compliance
- 85°C 5000小時 耐高壓螺栓型端子。
- 適用於在工業設備工控電源，太陽能光伏逆變器，風力發電，船舶，重型卡車等領域。



SPECIFICATIONS

Items 項目	Characteristics 特性				
Capacitance Tolerance 靜電容量誤差	± 20%(120Hz,20°C)				
Operating Temperature Range 適用溫度範圍	- 25 ~ +85°C				
Rated Voltage Range 額定電壓範圍	500 ~ 650VDC				
Rated Capacitance Range 容量範圍	220 ~ 1,000,000µF				
Leakage Current 洩漏電流	I ≤ 0.02CV (µA) or 5mA, whichever is smaller. (After 5 minutes application of DC rated voltage, at 20 °C)				
Dissipation Factor 散逸因素(tan δ)	Measurement Frequency: 120Hz. Temperature: 20°C				
	Rated Voltage(V)	500	550	600	650
	tan δ(MAX)	0.25	0.25	0.25	0.25
Temperature Stability 溫度特性	Measurement Frequency: 120Hz.				
	Capacitance Change C(-25°C)/Z(20°C) ≥ 0.6				
Load Life 負荷壽命	The following specifications shall be satisfied when the capacitors are restored to 20°C after subjected to DC voltage with the rated ripple current is applied for 5,000 hours at 85°C.				
	Capacitance Change	Within ± 20% of Initial Value			
	tan δ	200% or less of Initial Specified Value			
	Leakage Current	Initial Specified Value or less			
Shelf Life 放置壽命	The following specifications shall be satisfied when the capacitors are restored to 20°C after exposing them for 500 hours 85°C without voltage applied. Before the measurement, the capacitor shall be preconditioned by applying voltage according to them 4.1 of JIS C5101-4.				
	Capacitance Change	Within ± 20% of Initial Value			
	tan δ	200% or less of Initial Specified Value			
	Leakage Current	Initial Specified Value or less			
Standards 參照標準	JIS C 5101-4-1 (IEC 60384)				

Frequency Coefficient of Permissible Ripple Current

Rated Voltage (V)	Frequency (Hz)				
	50	120	360	1K	≥3K
500 ~ 650	0.80	1.00	1.20	1.30	1.40

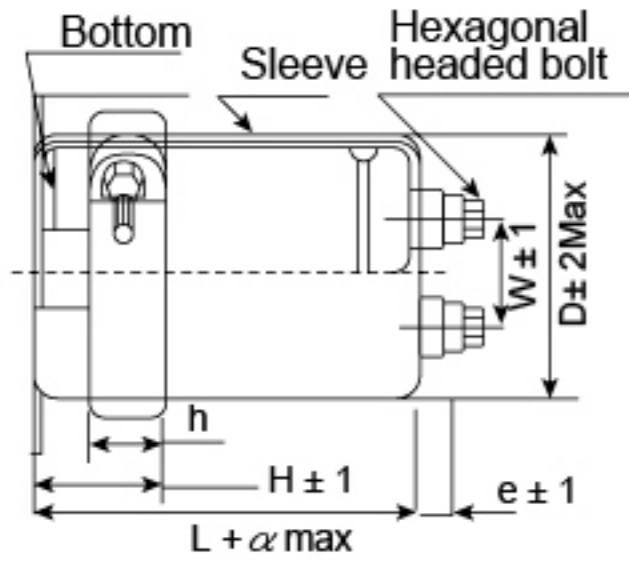
The endurance of capacitors is reduced with internal heating produced by ripple current at the rate of halving the lifetime with every 10°C rise. When long life performance is required in actual use , the rms ripple current has to be reduced.

LV

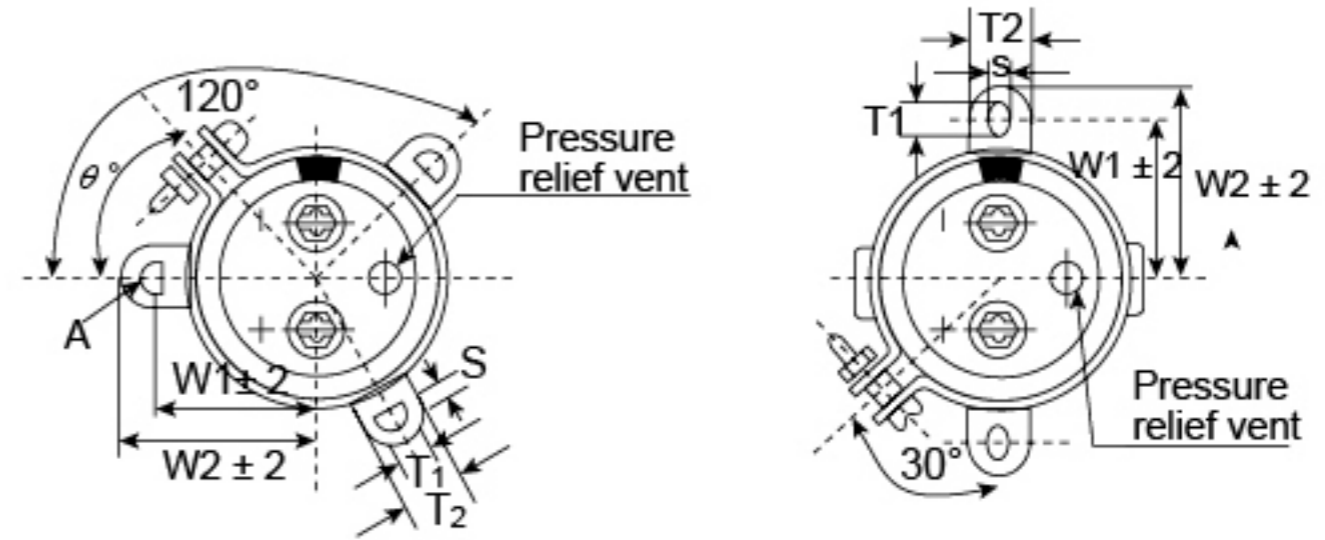
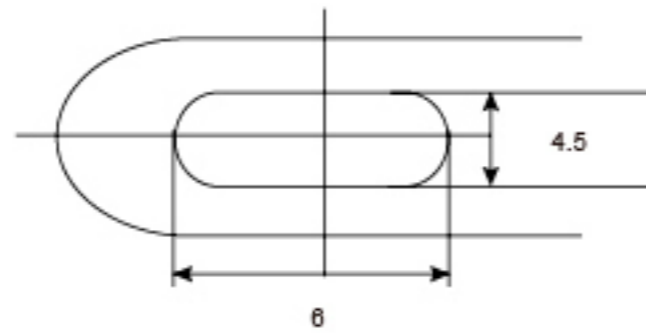
LV series

DIMENSIONS(mm)

Screw terminal type for $\phi 51$ and larger

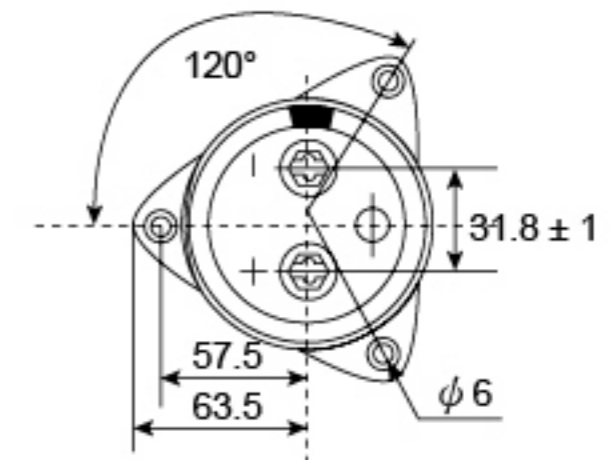
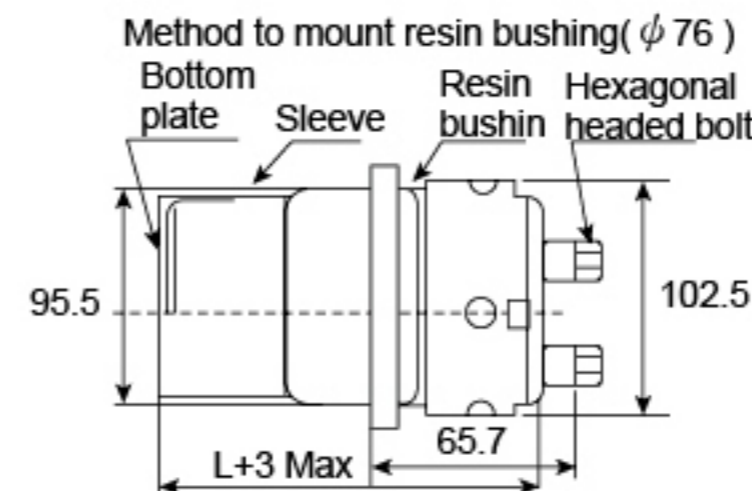
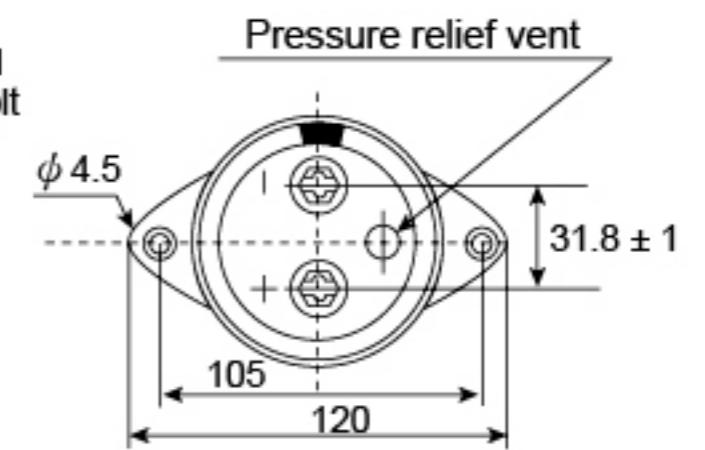
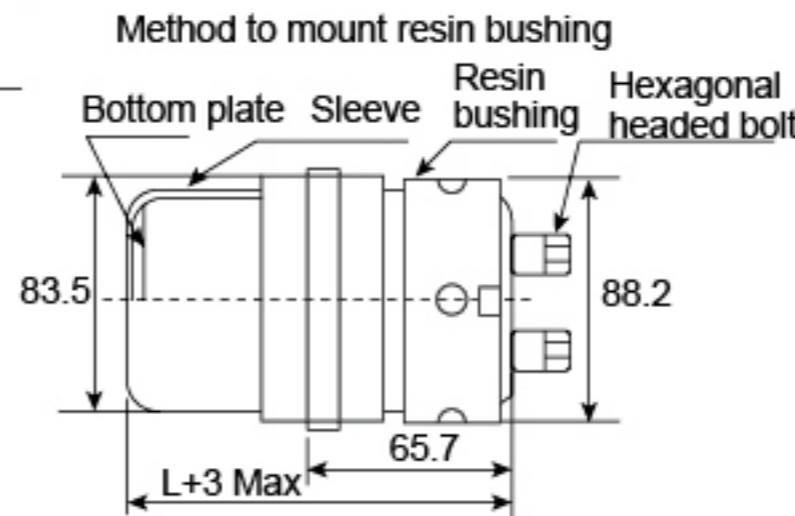


3-leg brackets for $\phi 90$ capacitors have different hole shapes from the ordinary ones as illustrated below.



TERMINAL PITCH(W) & LENGTH (e) TABLE

ϕD	W	e	α
51	22	6	3
64	28.6	6	3
76	31.8	6	3
90	31.8	6	3
100	41.5	10	4



DIMENSIONS OF MOUNTING BRACKET

mm

Cap (μF)	Leg shape	3-Legs					2-Legs				
		ϕD	$\phi 51$	$\phi 64$	$\phi 76$	$\phi 90$	$\phi 100$	$\phi 51$	$\phi 64$	$\phi 76$	$\phi 90$
W_1			32.5	38	44.5	50.8	56.3	33.2	40.5	46.5	53
W_2			38.5	43	49.2	57	62	40	46.5	53	59
T_1			7.5	8.0	7.0	7.0	8.0	6.0	6.0	6.0	6.0
T_2			12	14	14	16	16	14	14	14	14
S			5.0	5.0	5.0	5.0	5.0	4.5	4.5	4.5	4.5
θ°			60	60	60	60	60	30	30	30	30
H			20	25	30	35	36	25	35	35	35
h			15	20	24	20	30	15	20	20	20

STANDARD RATINGS

D×L(mm) ; R.C.(A rms) at 85°C 120Hz

Cap (μF)	V Item	500		550		600		650	
		D x L	R.C.	D x L	R.C.	D x L	R.C.	D x L	R.C.
1000				51x95	5.4			64x100	6.3
1200				51x95	5.9	51x110	6.3	64x95	6.7
1500				51x115	7.2	51x130	7.6	64x110	8.0
1800				51x130	8.3	64x105	8.6	64x125	9.3
2200				51x150	9.8	64x120	10.1	64x145	11
2700				64x120	11.2	64x150	12.4	64x170	13.1
						76x105	11.7	76x125	12.6
3300				64x140	13.3	64x170	14.5	76x145	14.9
						76x130	14.2		
3900				64x170	15.7	76x140	15.9	76x170	17.3
					76x130			15.4	90x130
4700				76x150	18.1	76x170	19.1	76x190	20.0
						90x130	15.6		
5600				76x170	20.8	90x150	18.2	90x170	19.1
					90x130				
6800				90x150	20	90x170	21.1		
8200				90x190	24.4	100x170	24.8		
10000				90x210	28.2	100x200	29.4		
12000				100x210	32.9				
15000				100x250	39.8				